

Bluetooth Lithium Iron Phosphate (LiFePO4) Battery Specification

SLAUMXLI75-12BLU (12.8V60AH)



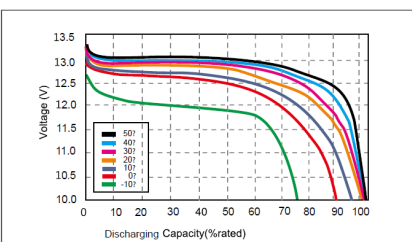
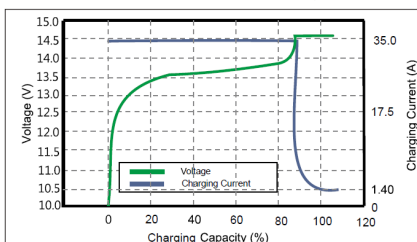
Specifications

Nominal Voltage		12.8V
Rated capacity (20 hour rate)		75Ah
Dimensions	Total Height	225 mm(8.86inches)
	Height	214 mm(8.43inches)
	Length	260 mm(10.24inches)
	Width	168 mm (6.61 inches)
Weight Approx		9.86 Kg (21.8 lbs)
Terminal		M8

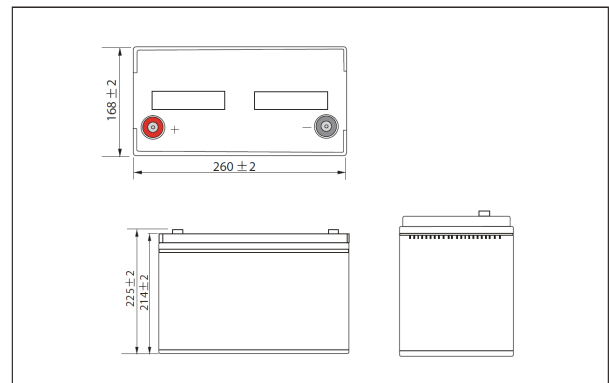
Characteristics

Charge Discharge Properties	Efficiency of Charge	100% at 0.5C
	Efficiency of Discharge	97% at 1C
Charge Characteristics	Cycle Life	>2000 cycles at 1C 100% DOD
	1.5 hour discharge to 10.5V	30.0 A
	Internal Resistance	<60 mΩ
Discharge Characteristics	Charge Voltage	14.4±0.1V
	Charger Current	40A
	Maximum Charge Current	75A
	Charge Cut-off Voltage	14.6±0.1V
Temperature	Continuous Current	75A
	Maximum Pulse Current	100A(<3s)
	Discharge Cut-off Voltage	10V
	Charge Temperature	0°C-45°C(32°F-113°F)
	Discharge Temperature	-20°C-60°C(-4°F-140°F)
	Storage Temperature	0°C-40°C(32°F-104°F)
	Months Self Discharge	<3%

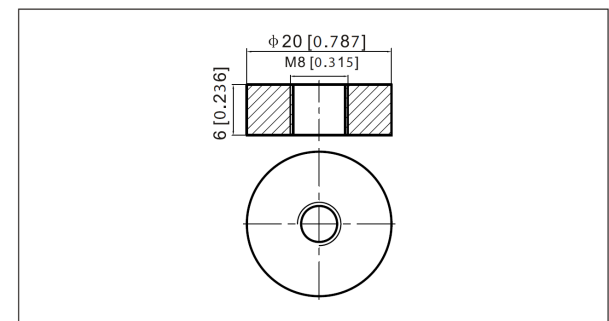
Characteristics Curves



Outer dimensions (mm)



Terminal Type (mm)



Bluetooth APP discription

For Apple mobile phone, search and download "UMXLI Battery"
For Android mobile phone, search and download "UMXLI BMS"

Interface of APP:

