

## Bluetooth Lithium Iron Phosphate (LiFePO4) Battery Specification

**SLAUMXLI50-12BLU (12.8V60AH)**



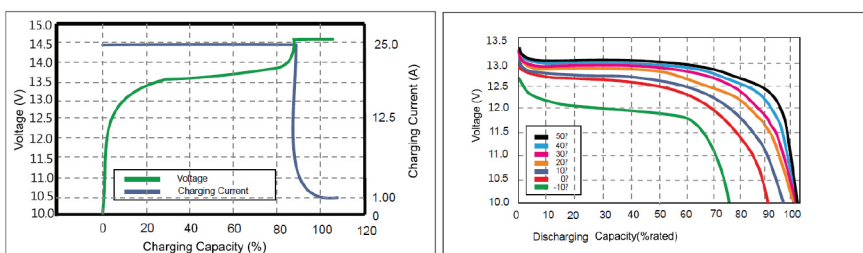
### Specifications

Nominal Voltage		12.8V
Rated capacity (20 hour rate)		50Ah
Dimensions	Total Height	170 mm
	Height	170 mm
	Length	198 mm
	Width	166 mm
Weight Approx		5.7 Kg
Terminal		M6

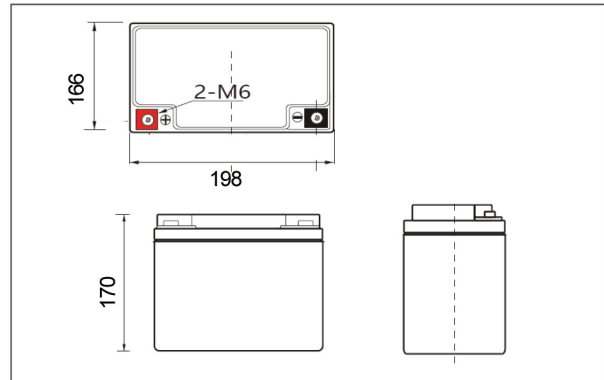
### Characteristics

Charge Discharge Properties	Efficiency of Charge	100% at 0.5C
	Efficiency of Discharge	97% at 1C
	Cycle Life	>2000 cycles at 1C 100% DOD
Charge Characteristics	1.5 hour discharge to 10.5V	20.0 A
	Internal Resistance	<60 mΩ
	Charge Voltage	14.4±0.1V
	Charger Current	25A
	Maximum Charge Current	50A
Discharge Characteristics	Charge Cut-off Voltage	14.6±0.1V
	Continuous Current	50A
	Maximum Pulse Current	70A(<3s)
	Discharge Cut-off Voltage	10V
Temperature	Charge Temperature	0°C-45°C(32°F-113°F)
	Discharge Temperature	-20°C-60°C(-4°F-140°F)
	Storage Temperature	0°C-40°C(32°F-104°F)
	Months Self Discharge	<3%

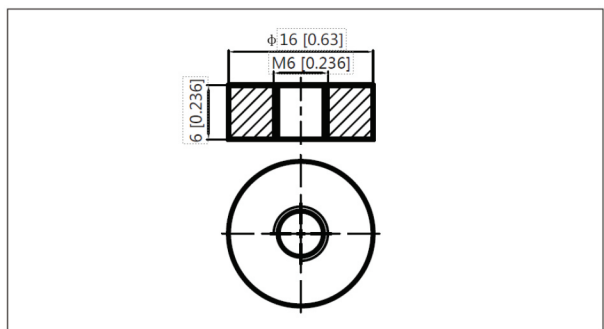
### Characteristics Curves



### Outer dimensions (mm)



### Terminal Type (mm)



### Bluetooth APP discription

For Apple mobile phone, search and download "UMXLI Battery"  
For Android mobile phone, search and download "UMXLI BMS"

### Interface of APP:

