

Lithium Iron Phosphate (LiFePO4) Battery Specification

SLAUMXLI30-12(12.8V30AH)



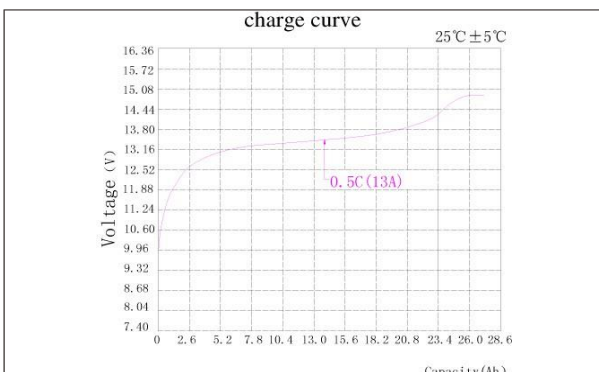
Specifications

Nominal Voltage		12.8V
Rated capacity (20 hour rate)		30Ah
Dimensions	Total Height	125 mm
	Height	125 mm
	Length	175 mm (6.93inches)
	Width	166 mm (6.58inches)
Weight Approx		3.9 Kg (8.16 lbs)
Terminal		M6

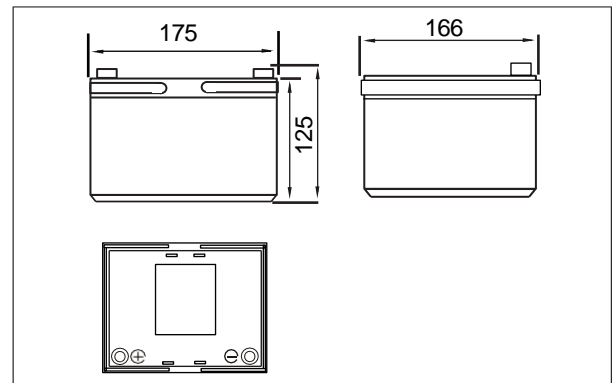
Characteristics

Capacity Retention	>85% at 28 days	
Cycle Life	>85% at 1000 Cycles	
1.5 hour discharge to 10.5V	12 A	
Internal Resistance	<25 mΩ	
Charge Characteristics	Charge Voltage	14.6±0.1V
	Charger Current	<10A
Discharge Characteristics	Continuous Current	15A
	Maximum Pulse Current	60A(<3s)
	Discharge Cut-off Voltage	10V
Temperature	Charge Temperature	0°C-45°C(32°F-113°F)
	Discharge Temperature	-20°C-60°C(-4°F-140°F)
	Storage Temperature	0°C-40°C(32°F-104°F)

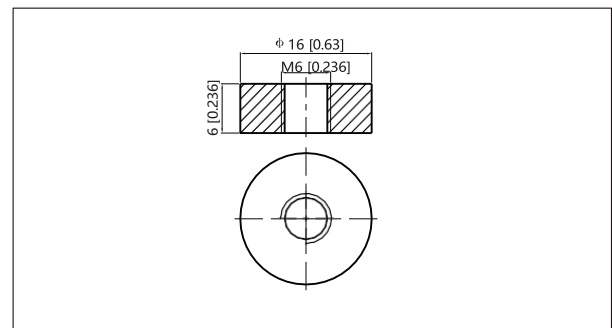
Charge Curve 25°C (77°F)



Outer dimensions (mm)



Terminal Type (mm)



Discharge Curves 25°C (77°F)

