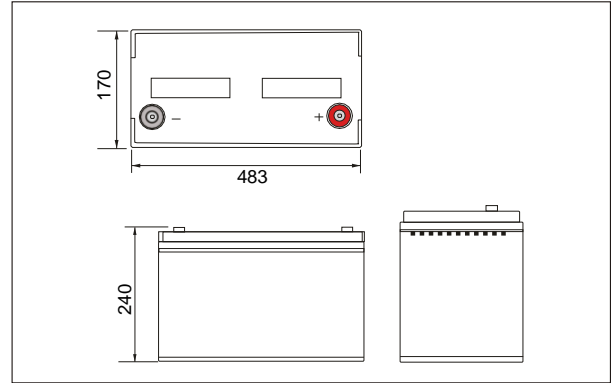


Lithium Iron Phosphate (LiFePO4) Battery Specification

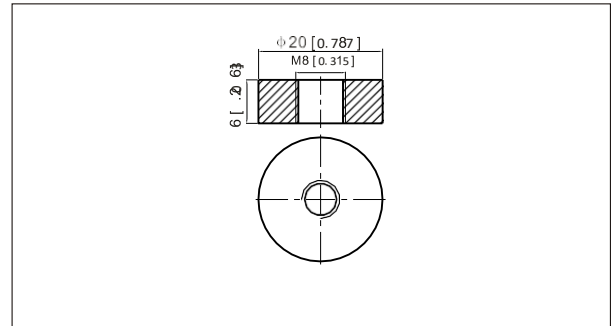
SLAUMXLI200-12PRIBLU (12.8V100AH) ● Outer dimensions (mm)



● Specifications

Nominal voltage	12.8V	
Typical capacity	200Ah	At 0.2C discharge rate
Max continuous discharge current	200A	
Peak discharge current	400A	3s
Over current protection	10.5V±0.1V	3-200 ms
Discharge cut-off voltage	10.5V±0.1V	
Charge voltage	14.6±0.1V	Charge mode: CC/CV. Use a constant current, constant voltage(CC/CV) please use special lithium charger. DO NOT REVERSE!
Charge current	≤ 200A	
Inner resistance	≤ 10mΩ	Between positive and negative polar
Operation temperature range	Charge	0°C~+45°C
	Discharge	-20°C~+60°C
Storage temperature range	0°C~40°C (Capacity 80%)	Recommended long-term storage temperature is 15~25°C
Humidity	5%≤RH≤85%	
Shell material	ABS plastic	
Weight	About 20.7±0.1Kg	
Size (L*W*H)	(483±2)*(170±2)*(240±2)mm	

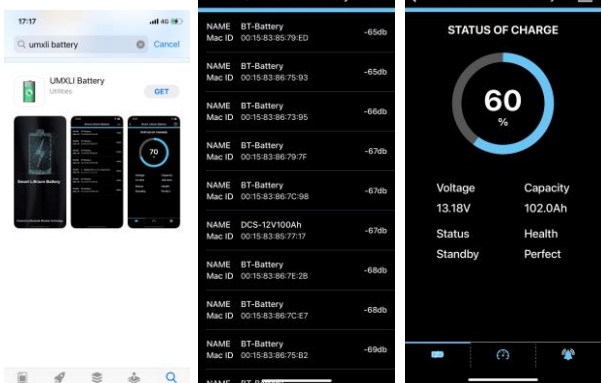
● Terminal Type (mm)



● Bluetooth APP description

For Apple mobile phone, search and download "UMXLI Battery" For Android mobile phone, search and download "UMXLI BMS"

Interface of APP:



● Characteristics

12.8V200AH Charge-Discharge Curve 0.2C 25°C

