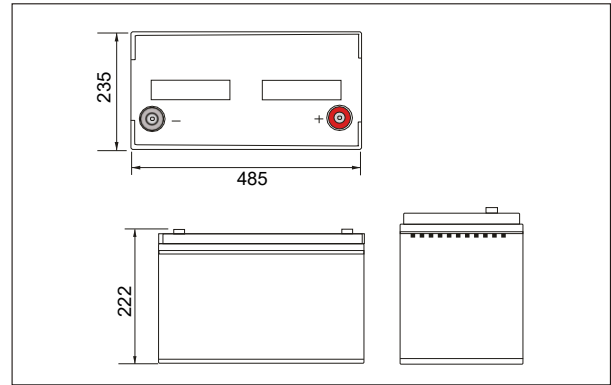


Lithium Iron Phosphate (LiFePO4) Battery Specification

SLAUMXLI100-24PRIBLU (25.6V100AH)



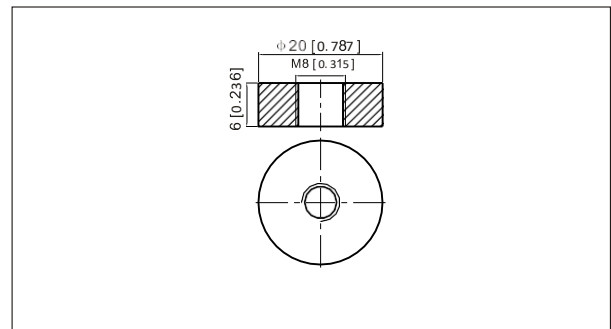
Outer dimensions (mm)



Specifications

Items	Standard	Remark
Nominal voltage	25.6V	
Typical capacity	100Ah	At 0.2C discharge rate
Max continuous discharge current	100A	
Peak discharge current	300A	1s
Over current protection	500±20A	10ms
Discharge cut-off voltage	20V	
Charge voltage	29.2±0.1V	Charge mode: CC/CV, Use a constant current, constant voltage(CC/CV) please use special lithium charger. DO NOT REVERSE!
Charge current	≤ 100A	
Inner resistance	≤ 10mΩ	Between positive and negative polar
Operation temperature range	Charge	0°C~+45°C
	Discharge	-20°C~+60°C When the environment temperature is higher than 45°C, please pay attention to ventilation and heat rejection.
Storage temperature range	0°C~40°C (Capacity 80%)	Recommended long-term storage temperature is 15~25°C
Humidity	5%≤RH≤85%	
Shell material	ABS plastic	
Weight	About: 26Kgs	
Size (L*W*H)	485*235*222mm ±1mm	
Protection function	Over charge protection、Over discharge protection、Over current protection、Balance function、Temperature protection	
Communication (optional)	N/A	

Terminal Type (mm)



Bluetooth APP description

For Apple mobile phones, search and download "UMXLI Battery" For Android mobile phones, search and download "UMXLI BMS"

Interface of APP:

